

RD35Q.3.W系列(连体)-桥式外侧开

Series of RD35Q.3W(Connection)-Bridge type exterior opening



闭合状态：
Opening type:

- Q** 桥式
Bridge type
- F** 全封闭式
Enclosed
- BF** 半封闭式
Semi-enclosed

注：无字母为普通型
Note: blank means general type

打开方式：
Opening way:

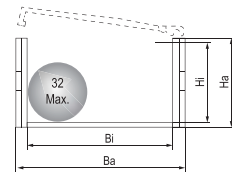
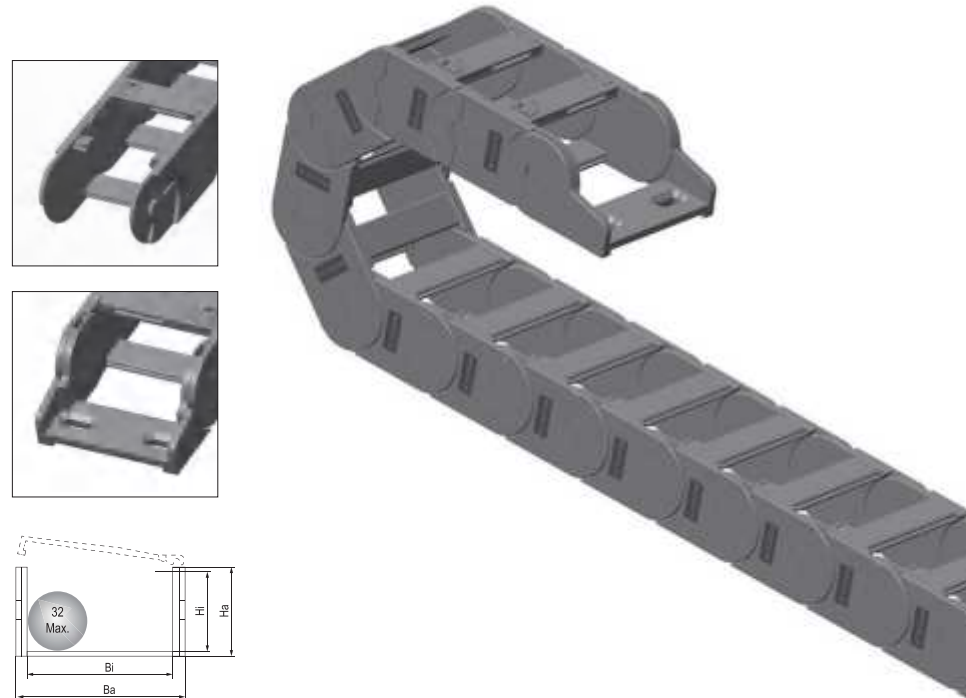
- B** 不可打开
Non-opening
- S** 双侧打开
Open of both side
- W** 外侧打开
Exterior opening
- N** 内侧打开
Interior opening
- F** 无需打开
Without opening

款式：
Style:

- Q.B** 桥式不可打开
Bridge type non-opening
- Q.N** 桥式内侧开
Bridge type interior opening
- Q.W** 桥式外侧开
Bridge type exterior opening
- Q.S** 桥式双侧可打开
Bridge type both side opening
- BF.B** 半封闭不可开
Semi-enclosed non-opening
- BF.N** 半封闭内侧开
Semi-enclosed interior opening
- BF.W** 半封闭外侧开
Semi-enclosed exterior opening
- BF.S** 半封闭双侧开
Semi-enclosed both side opening
- F.N** 封闭式内侧开
Enclosed interior opening
- F.W** 封闭式外侧开
Enclosed exterior opening
- F.S** 封闭式双侧开
Enclosed both side opening

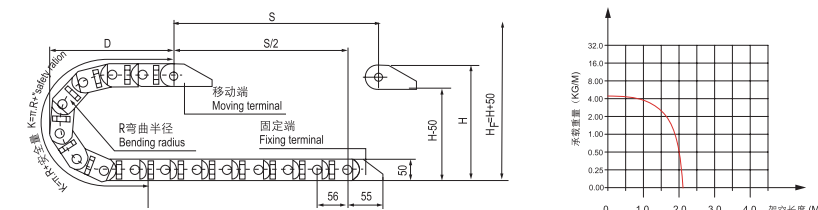
接头类型：
Bracket type:

- X** 斜型接头
Oblique bracket
- F** 方型接头
Square bracket



- ◎ The cable chain tested service life is up to 20 million times.
- ◎ The ledge of cable chain is able to open to inspect or replace cable.
- ◎ The cable chain can be mounted separator and cross separator to divide space and effectively protect cables. (See accessories table)
- ◎ The cable chain can be mounted pectinate plate to fix cable better. (See accessories table)
- ◎ The cable chain is suitable for a diameter of 32mm or less of cable.
- ◎ 测试使用寿命达 2 千万次
- ◎ 可将拖链外侧挡片打开，方便检查或更换线缆
- ◎ 可装竖隔片、横隔片区分空间，更有效保护线缆（见选配区）
- ◎ 可配梳状板，更好的固定线缆（见选配区）
- ◎ 适用于直径 32 毫米以下线缆

主要技术参数 Basic technical data



节距=56mm, 每米节数=18, 链长=S/2+K, S=行程距离, K=π.R+“安全量”
Pitch=56mm, link per meter=18, length of chain=S/2+K, S=stroke, K=π.R+“safety ration”

R	75	150
H	200	350
D	156	231
K	392	616

安装实际高度: $H_f = H + 50\text{mm}$ (负载 1.0kg/m)
Actual mounting height: $H_f = H + 50\text{mm}$ (load 1.0kg/m)

RD35Q.3.W 系列 - 桥式外侧开 Series of RD35Q.3.W-Bridge type exterior opening

示意图 Drawing

选配区 Accessories table

系列号 Series No.	内高 Hi	内宽 Bi	外高 Ha	外宽 Ba	款式 Styles	弯曲半径 Bending radius R	固定接头类型及参数 Bracket type and parameters								
							可配接头类型 Applicable bracket type	孔径 Bore diameter φ1	孔距 (mm)hole distance						代号 No.
									A	B	C	D	E	F	
RD35Q.3.75W	35	75	50	92	Q.W	75,150	X ₂	6.2*19L	55	55	17	93	RD35Q.3.75W-XJT		

注：W 表示外侧开
Note: W Bridge type exterior opening

固定接头类型及参数 Fix bracket type and parameters (见表格 See table)



订货示例 Order Sample

示例 拖链内高 35mm、内宽 75mm、半径 75mm、长度 1 米 /18 节 (Sample: inner height 35mm, inner width 75mm, radius 75mm, length 18 links/1 meter)

拖链 chain RD35Q.3.75S R75 1000mm /18 Links

接头 Bracket RD35Q.3.75S -XJT 副 (Set)

配件 Accessories 每节装 1 个竖隔片 /1 个横隔片 (1 vertical shim/1 horizontal shim can be mounted in every link)

注：可根据客户要求定制各种规格。 Note: Various sizes can be customized according to customer requirements.